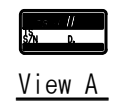
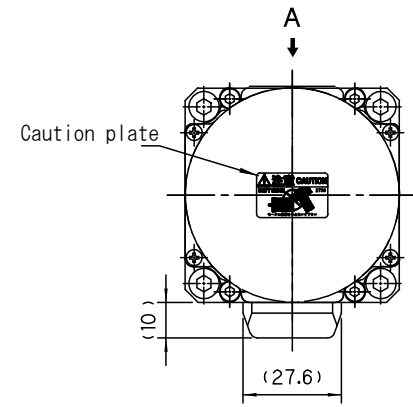
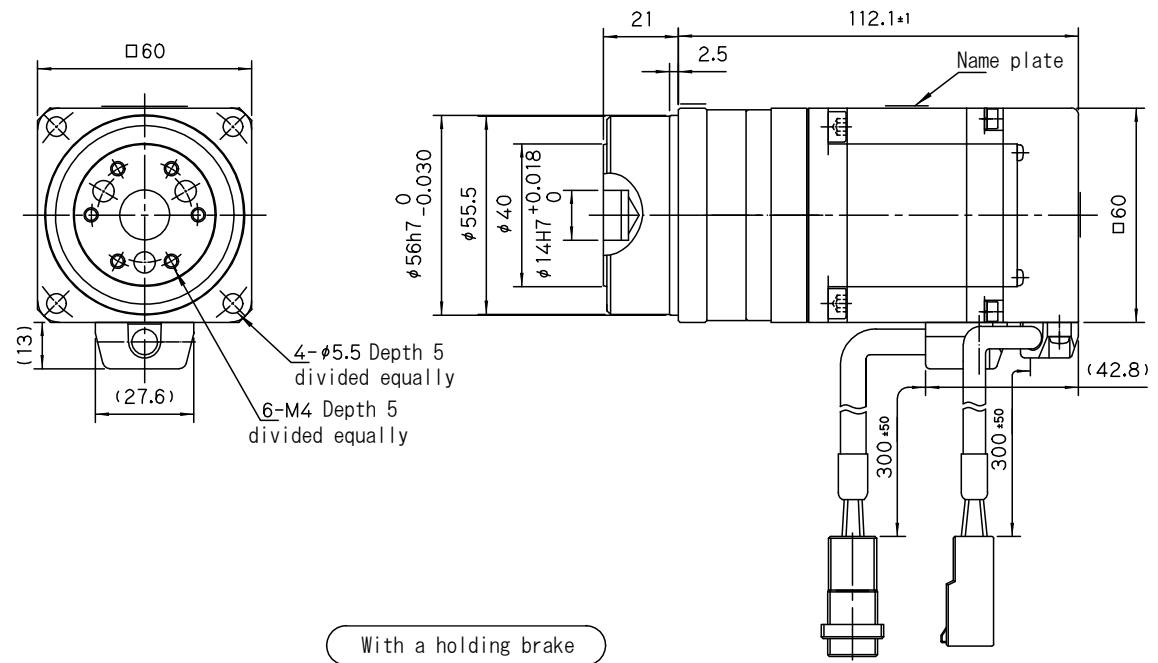


□60

TS4607 200W
Reduction ratio . . . 1/5 or 1/9
1/15

Without a holding brake



With a holding brake

