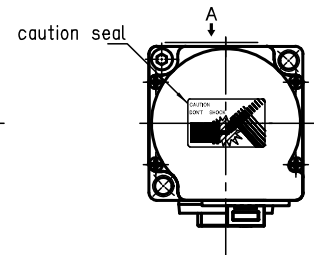
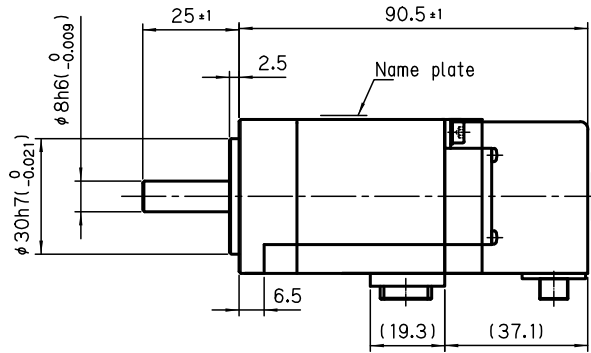
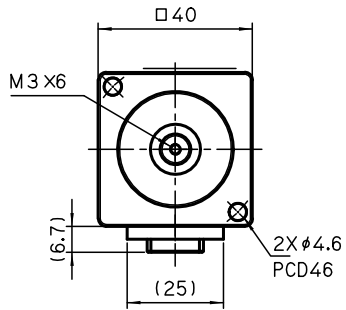


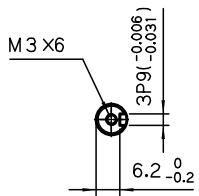
□40

Without Brake

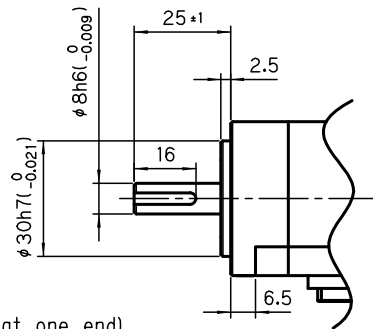
TSM4104 100W



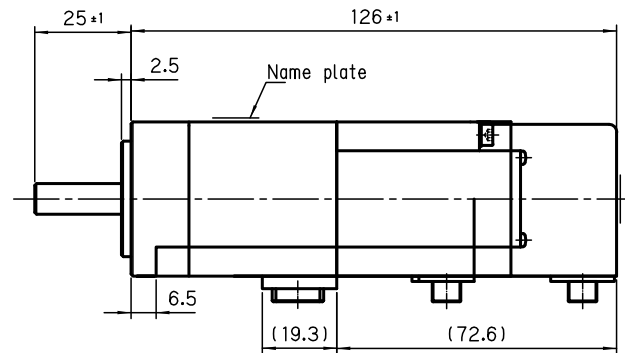
(key way)



Shaft key 3X3X16 (Round at one end)



With Brake



Viewed from A