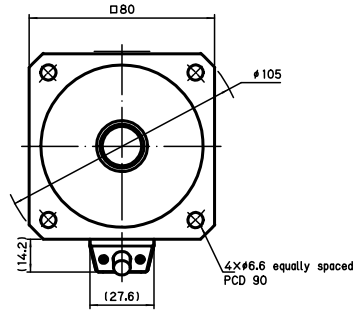
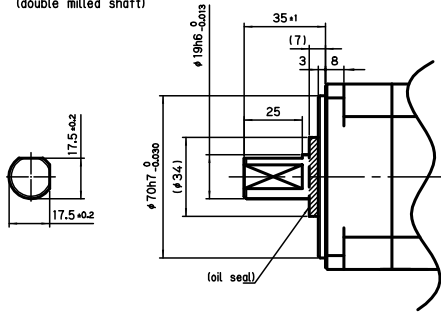


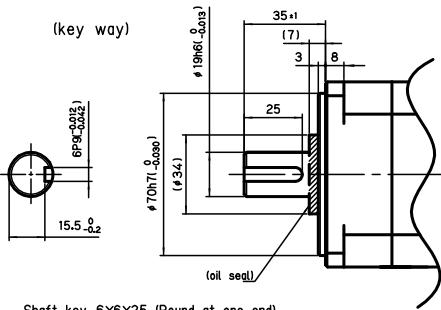
□80



(double milled shaft)

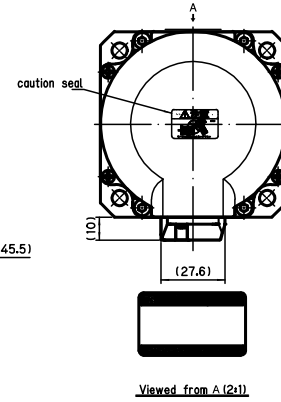
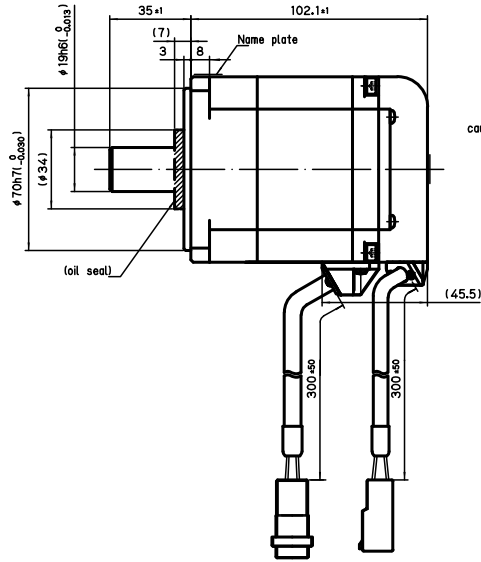


(key way)

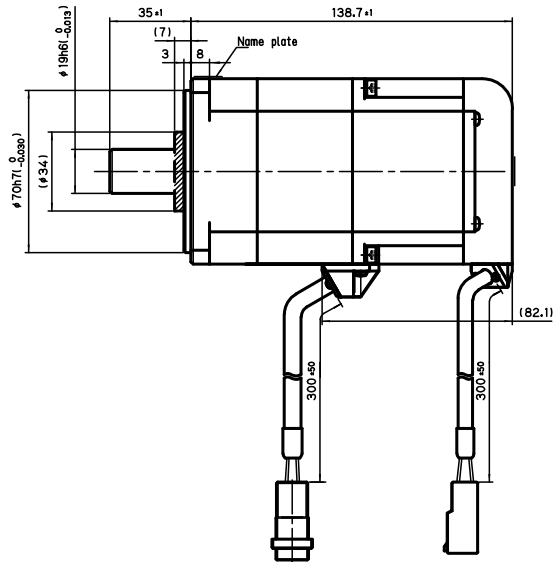


Shaft key 6×6×25 (Round at one end)

(Without Brake)



(With Brake)



TSM3304 750W