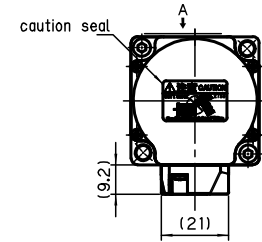
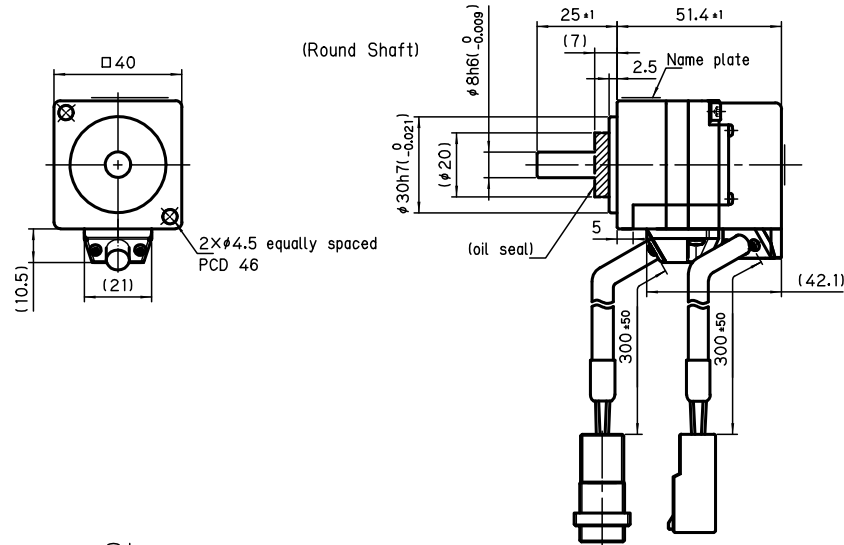


□40

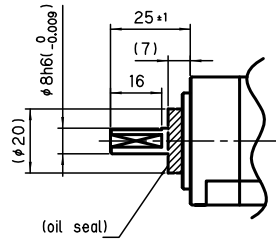
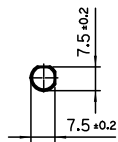
Without Brake

TSM3101 30W

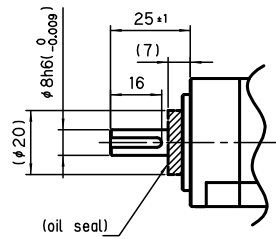
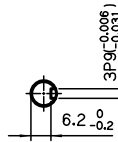


Viewed from A (2:1)

(double milled shaft)



(key way)



Shaft key 3X3X16 (Round at one end)

With Brake

