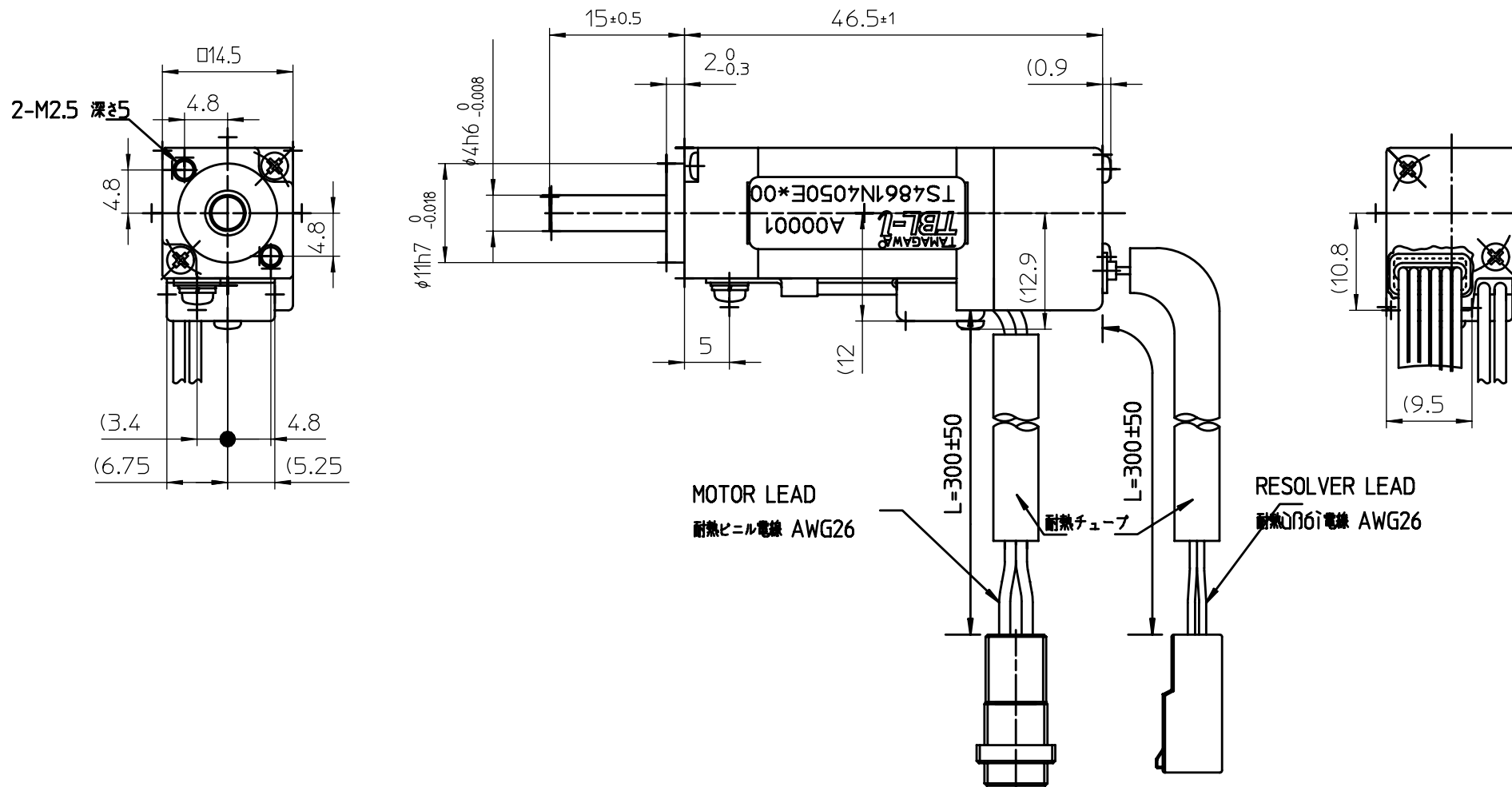


1. 塗装: 黒色半艶塗装 (取付け面を除く)



MOTOR CONNECTION

PIN No.	FUNCTION	COLOR
A1	U	RED
A2	V	WHT
A3	W	BLK
B1	C. G	GRN
B2	---	---
B3	---	---

RESOLVER CONNECTION

PIN No.	FUNCTION	COLOR	PIN No.	FUNCTION	COLOR
A1	S2	YEL	B1	S4	BLU
A2	S1	RED	B2	S3	BLK
A3	R1	WHT	B3	R2	ORG
A4	---	---	B4	---	---
A5	---	---	B5	---	---
A6	---	---	B6	---	---

タブハウジング: 178964-3(AMP)
 タブコンタクト: 175287-2

タブハウジング: 1-1318115-6(AMP)
 タブコンタクト: 1318112-1