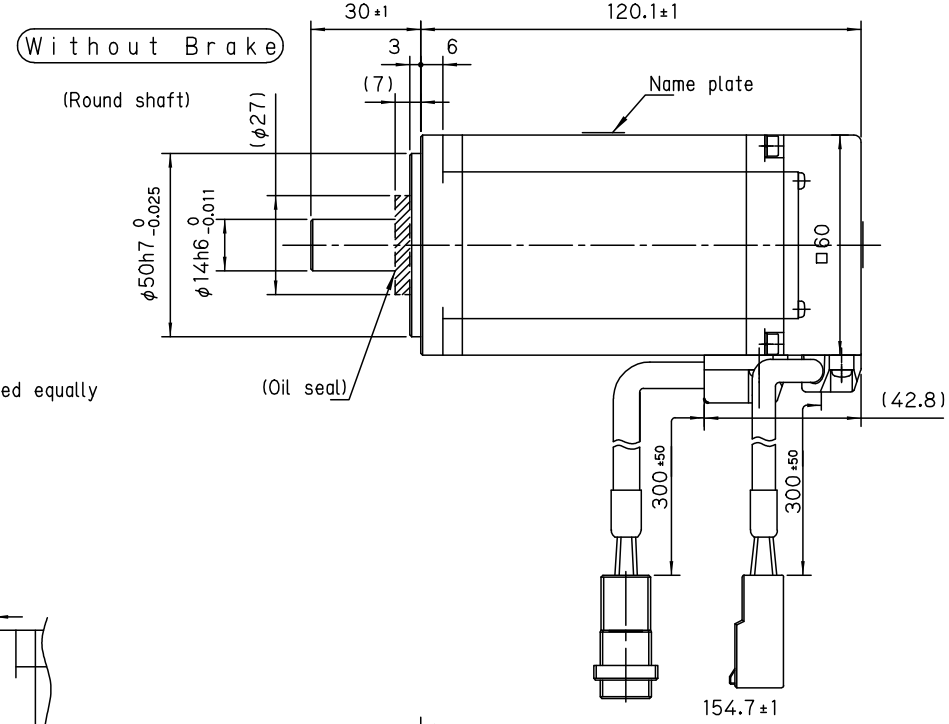
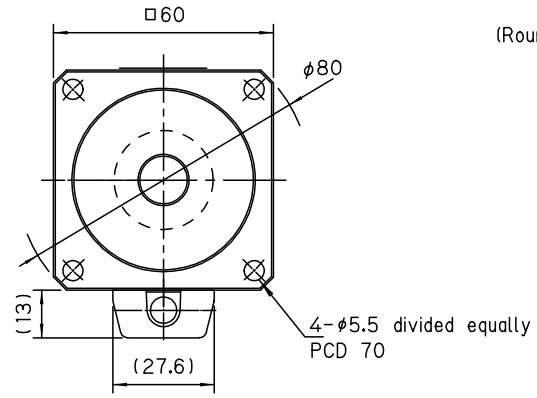
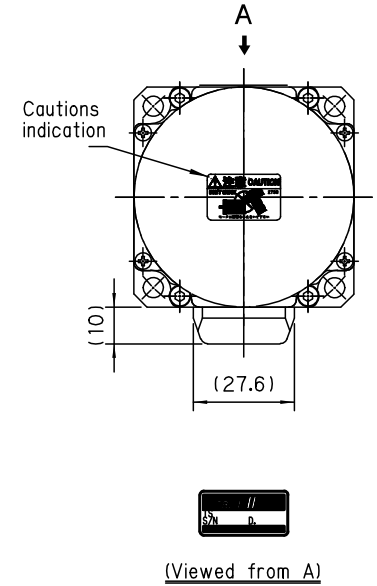


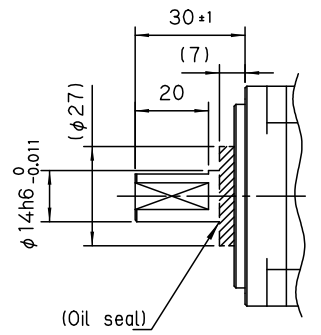
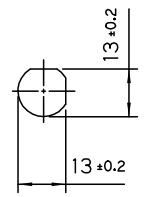
□60



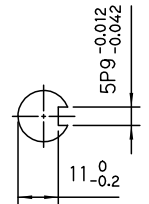
TS4610 600W



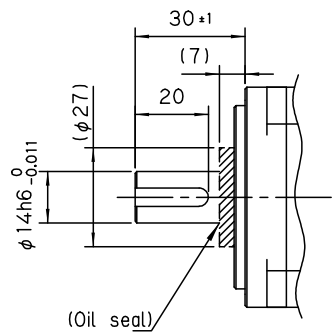
(Double-sided milling)



(Keyway)



Attached key: 5x5x20
(semicircular end)



With Brake

