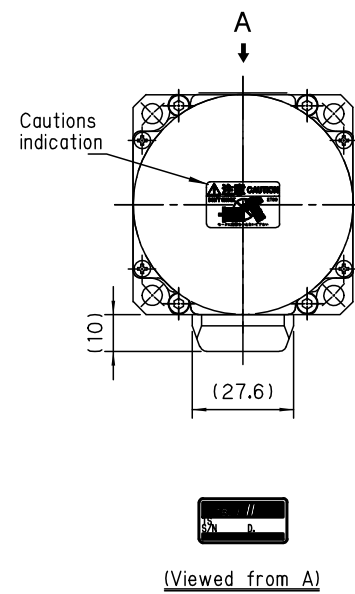
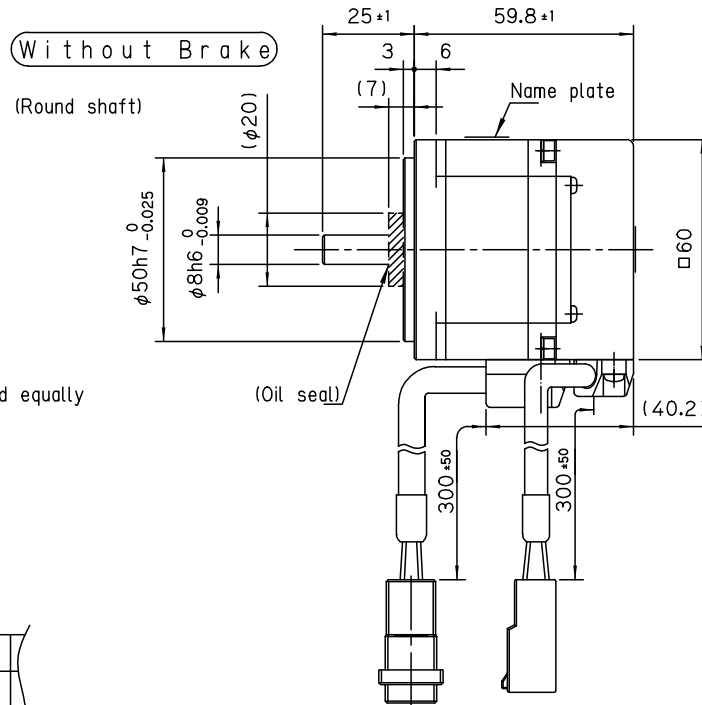
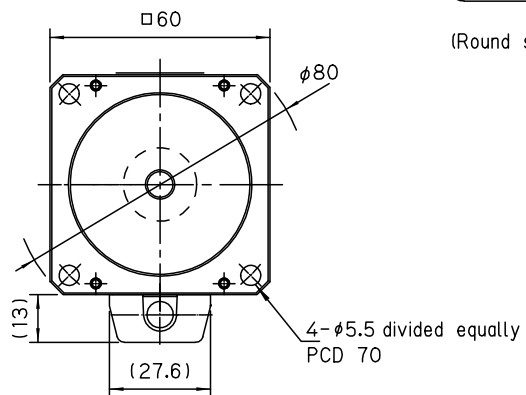
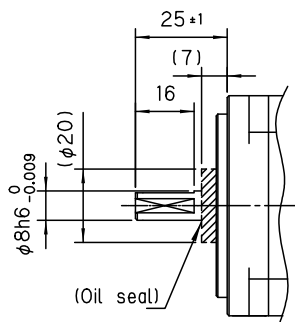
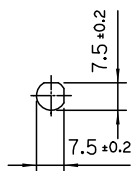


□60

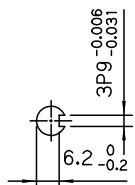
TS4606 100W



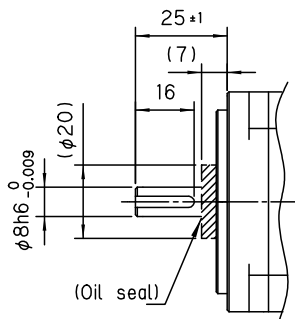
(Double-sided milling)



(Keyway)



Attached key: 3x3x16
(semicircular end)



(With Brake)

