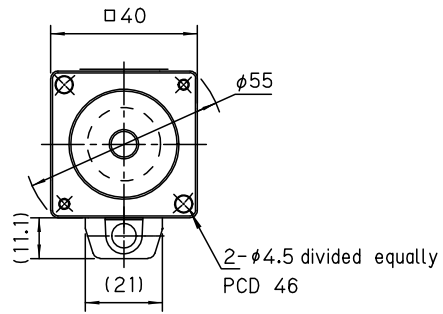


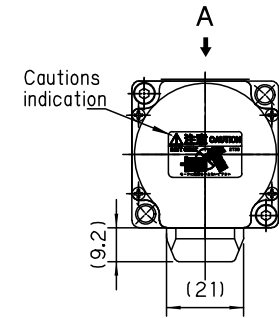
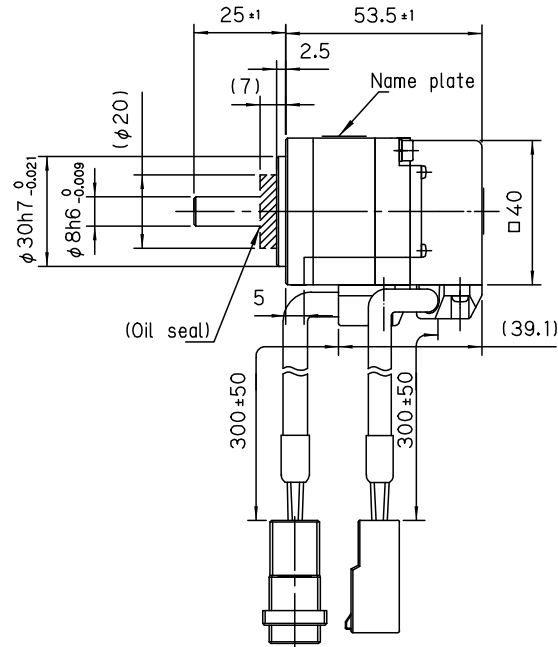
□40

Without Brake

TS4601 30W

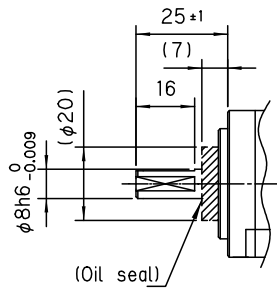
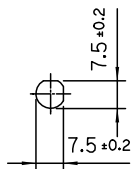


(Round shaft)

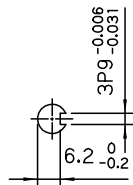


(Viewed from A)

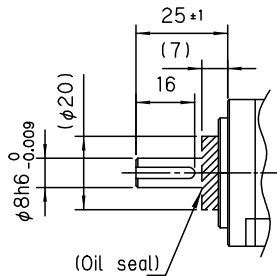
(Double-sided milling)



(Keyway)



Attached key: 3x3x16
(semicircular end)



With Brake

