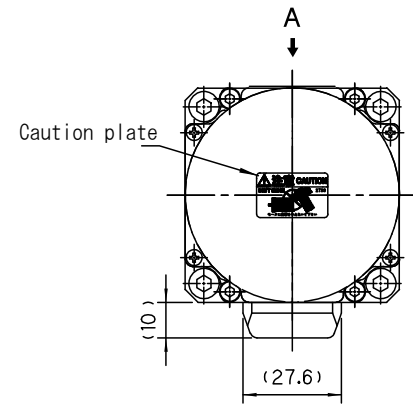
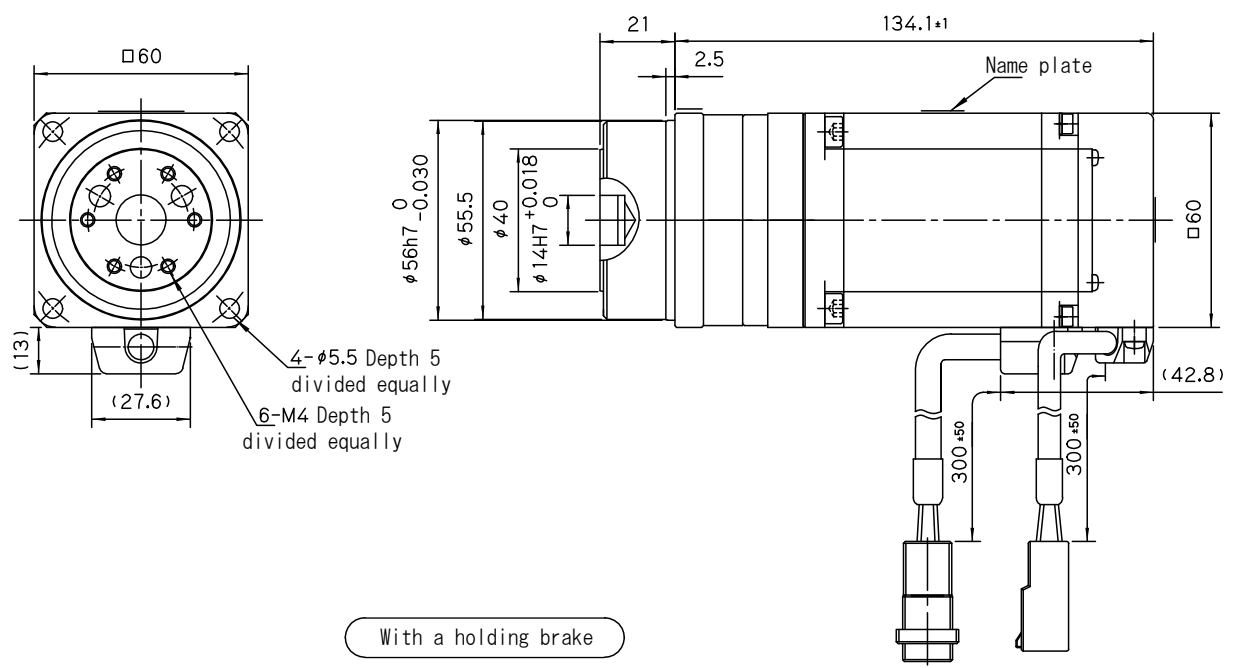


□60

Without a holding brake

TS4609 400W
Reduction ratio . . . 1/5



View A

With a holding brake

