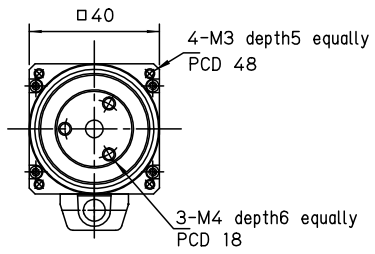
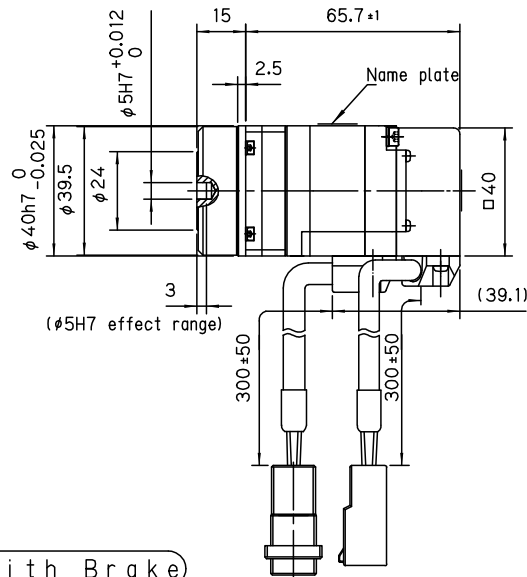


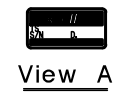
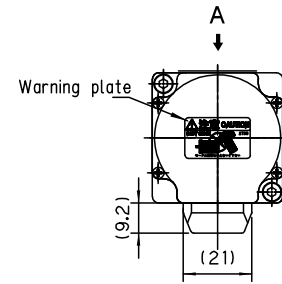
□40



Without Brake



TS4601 . . . . . 30W  
Gear Ratio . . . 1/5 or 1/9



With Brake

