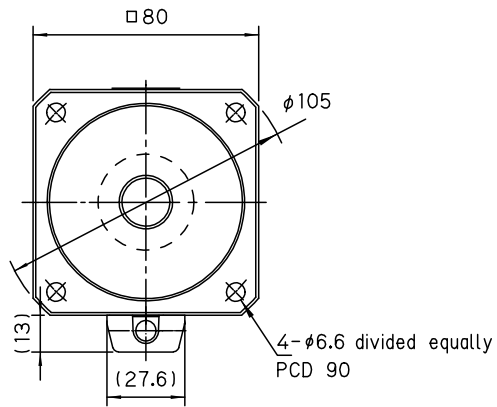
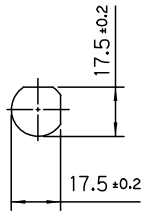


□80

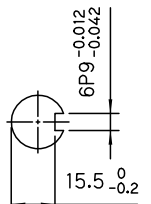
TS4613 600W



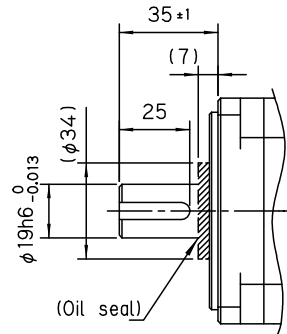
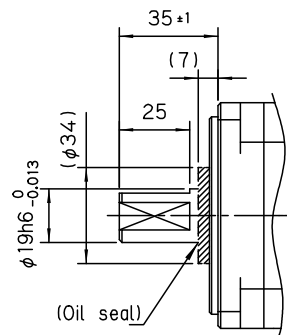
(Double-sided milling)



(Keyway)

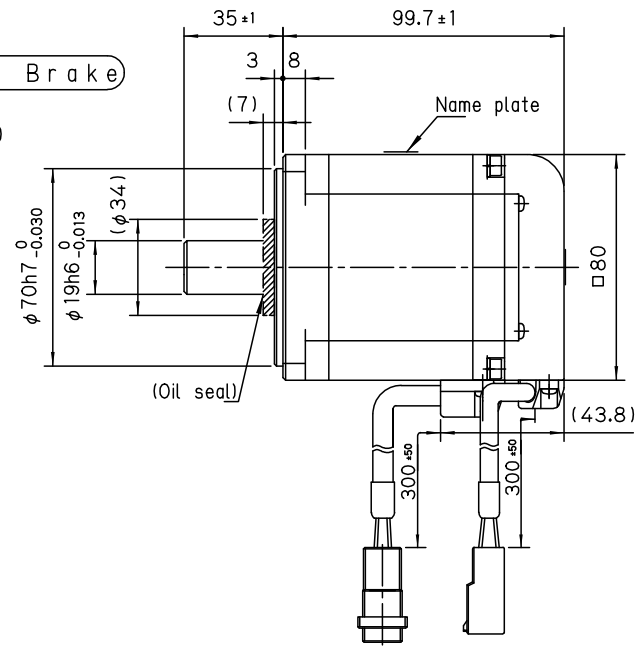


Attached key: 6x6x25
(semicircular end)

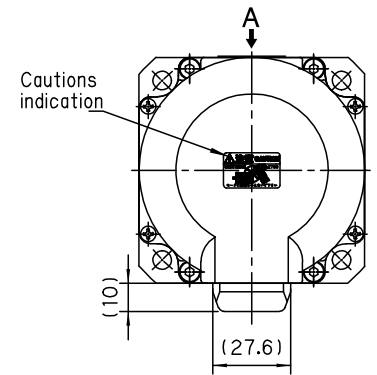
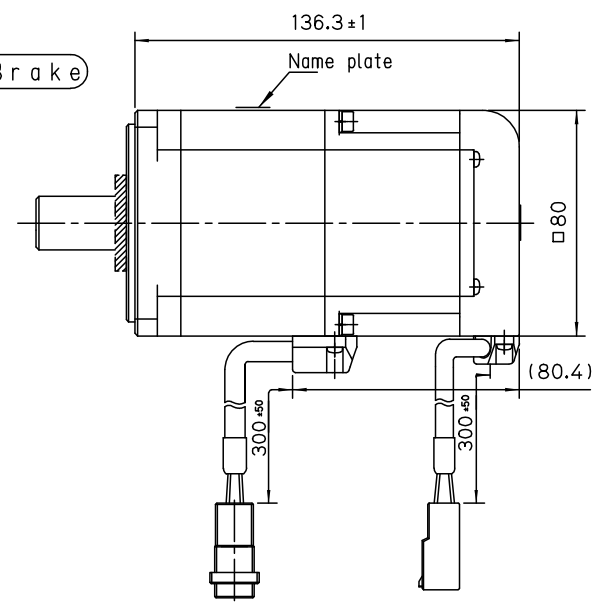


Without Brake

(Round shaft)



With Brake



(Viewed from A)