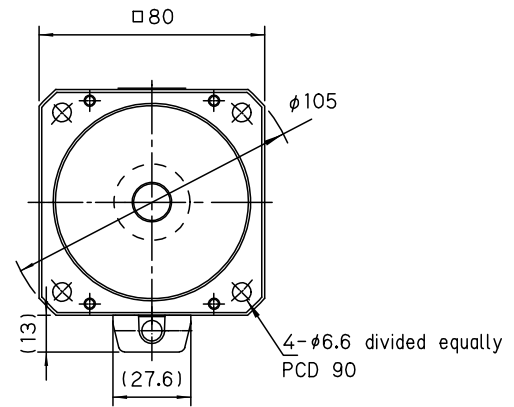
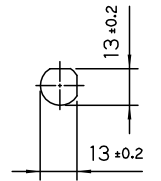


□80

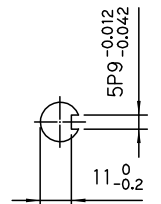
TS4612..... 400W



(Double-sided milling)



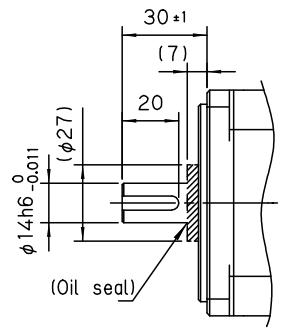
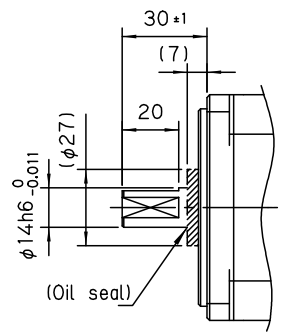
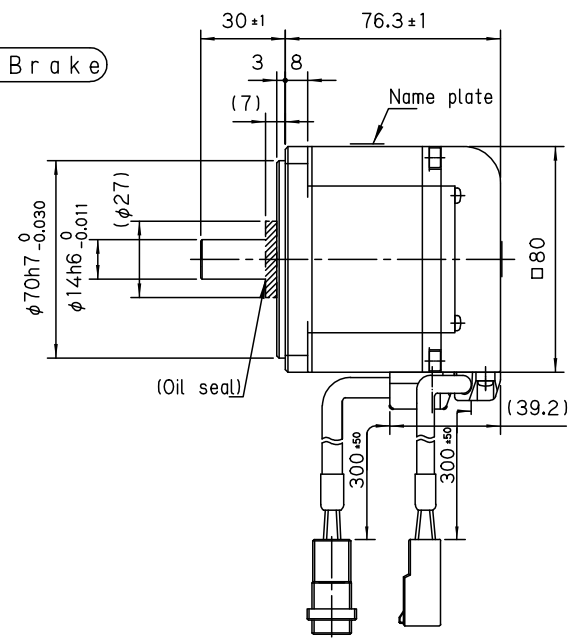
(Keyway)



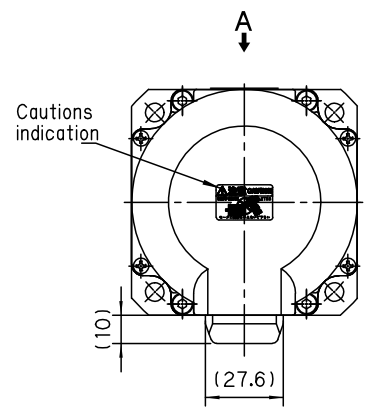
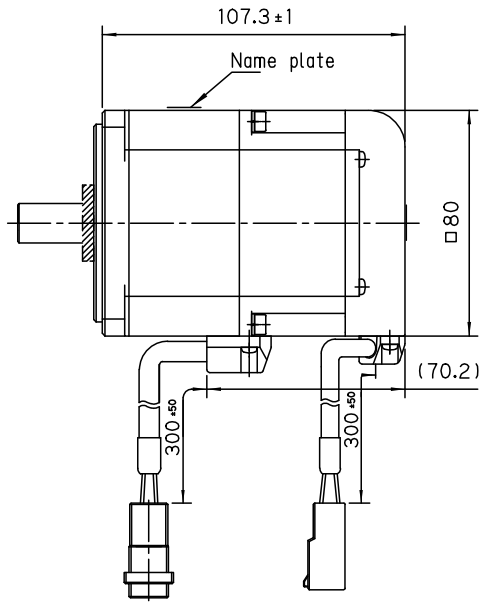
Attached key: 5x5x20
(semicircular end)

Without Brake

(Round shaft)



With Brake



(Viewed from A)