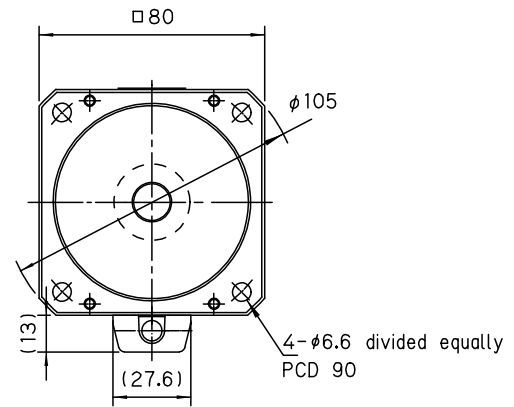
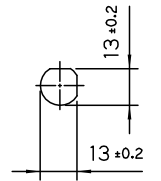


□80

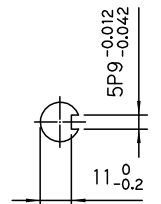
TS4611..... 200W



(Double-sided milling)



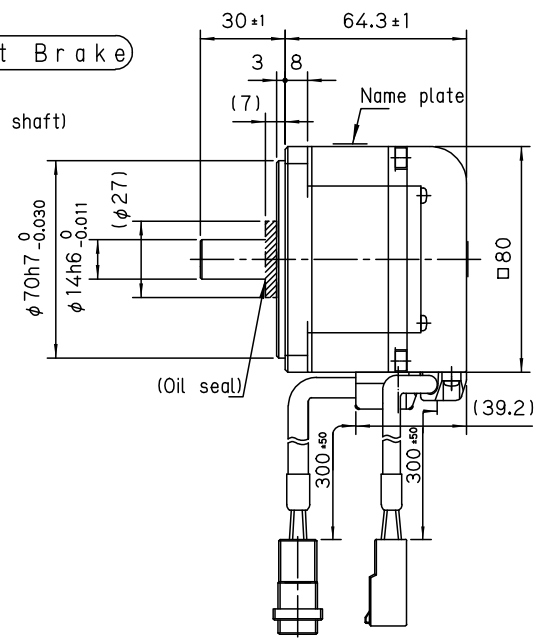
(Keyway)



Attached key: 5x5x20 (semicircular end)

Without Brake

(Round shaft)



With Brake

