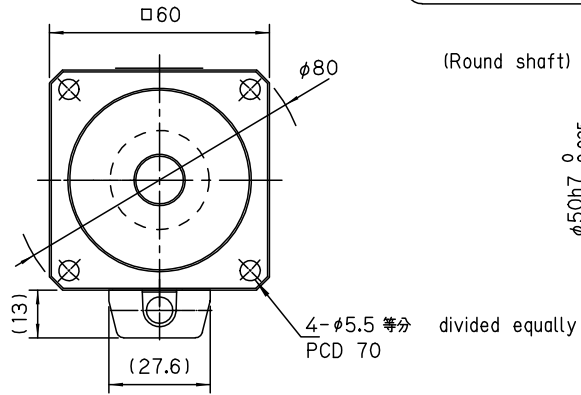
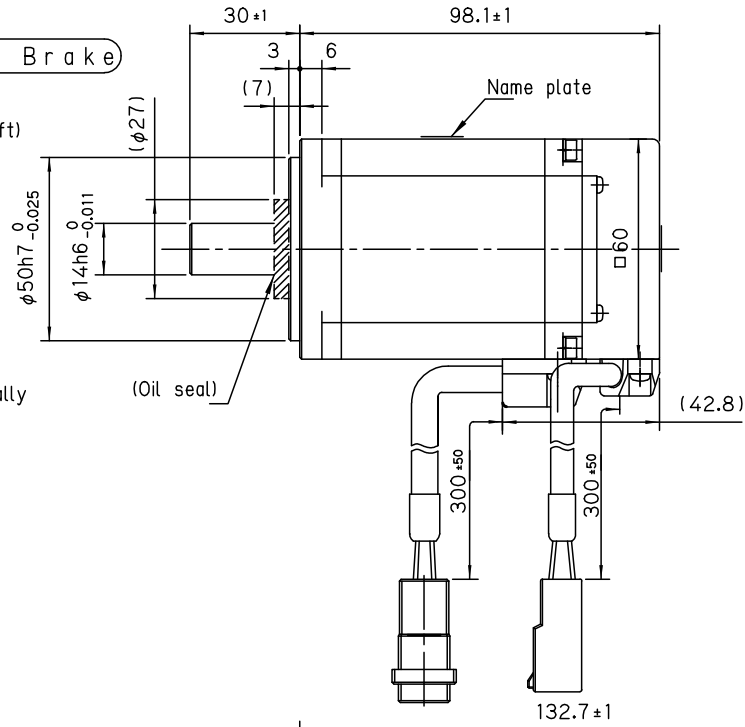


□60



Without Brake

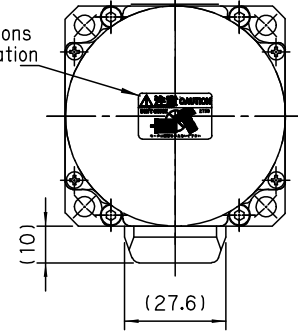
(Round shaft)



TS4609 400W

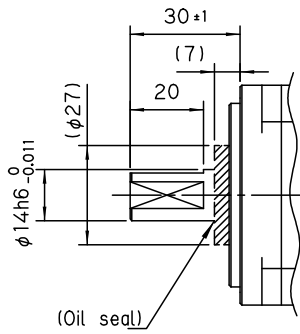
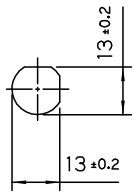
A

Cautions indication

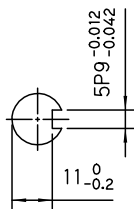


(Viewed from A)

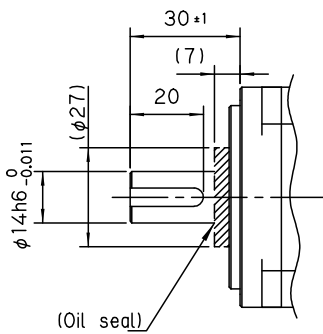
(Double-sided milling)



(Keyway)



Attached key: 5x5x20
(semicircular end)



With Brake

