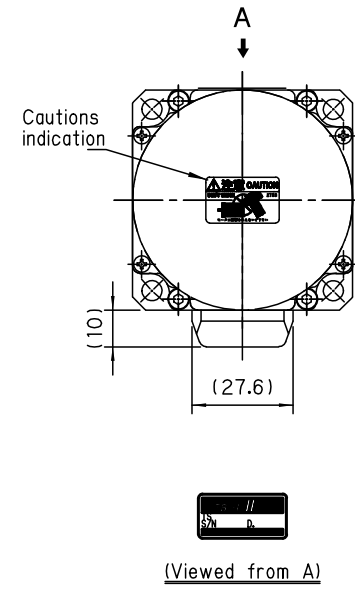
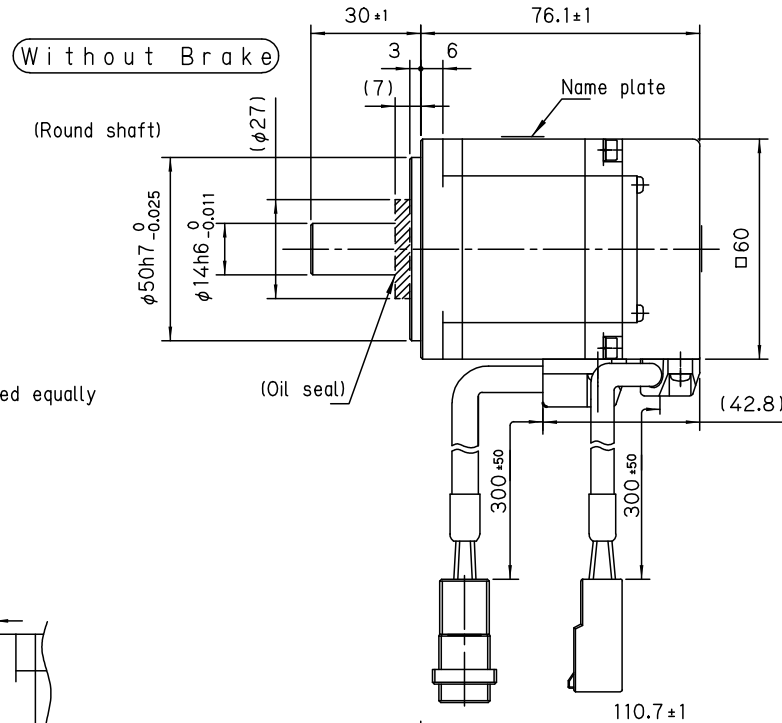
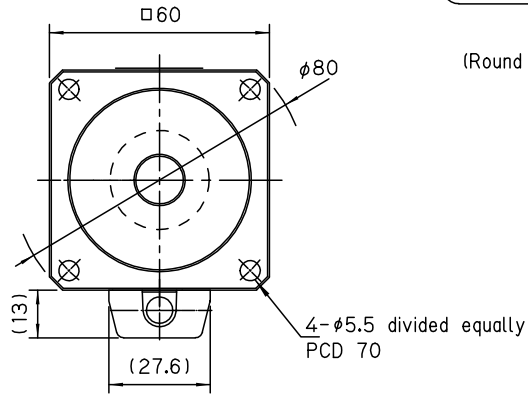
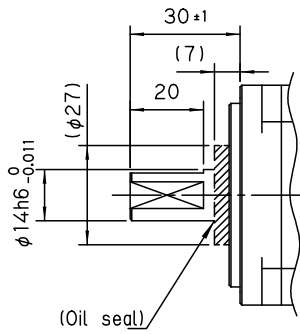
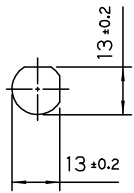


□60

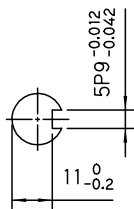
TS4607 . . . . . 200W



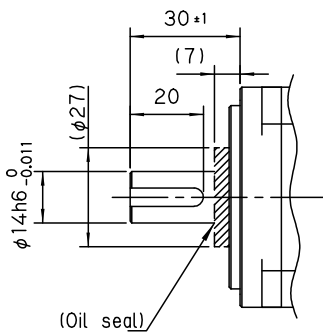
(Double-sided milling)



(Keyway)



Attached key: 5x5x20  
 (semicircular end)



With Brake

