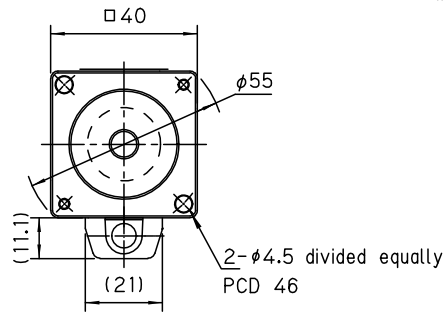
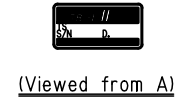
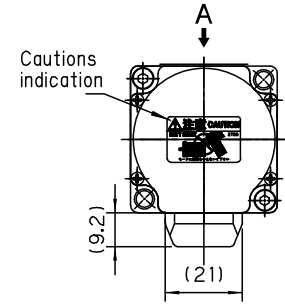
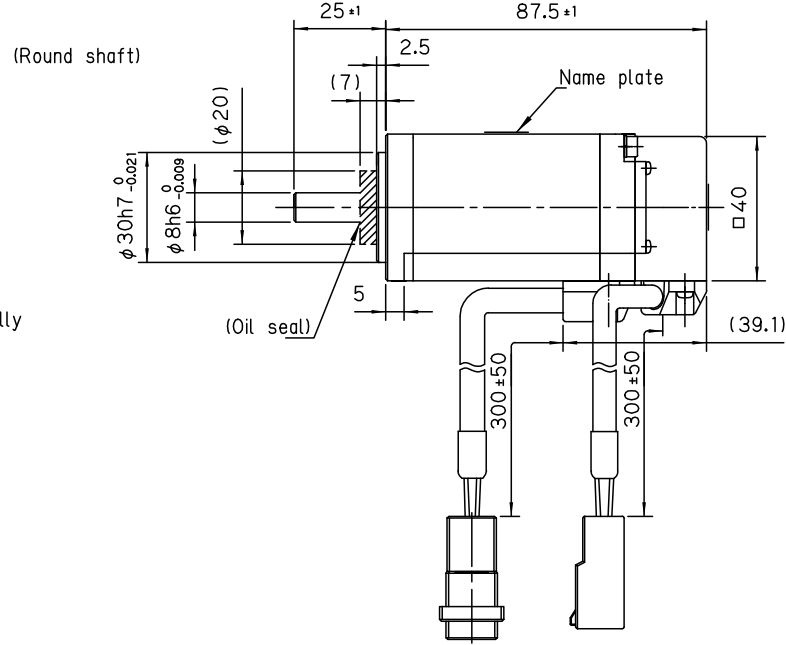


□40

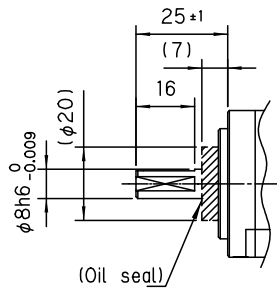
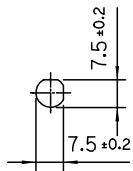
TS4604 . . . . . 150W



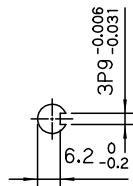
Without Brake



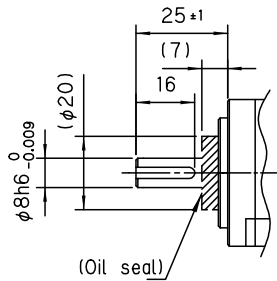
(Double-sided milling)



(Keyway)



Attached key: 3x3x16  
(semicircular end)



With Brake

